

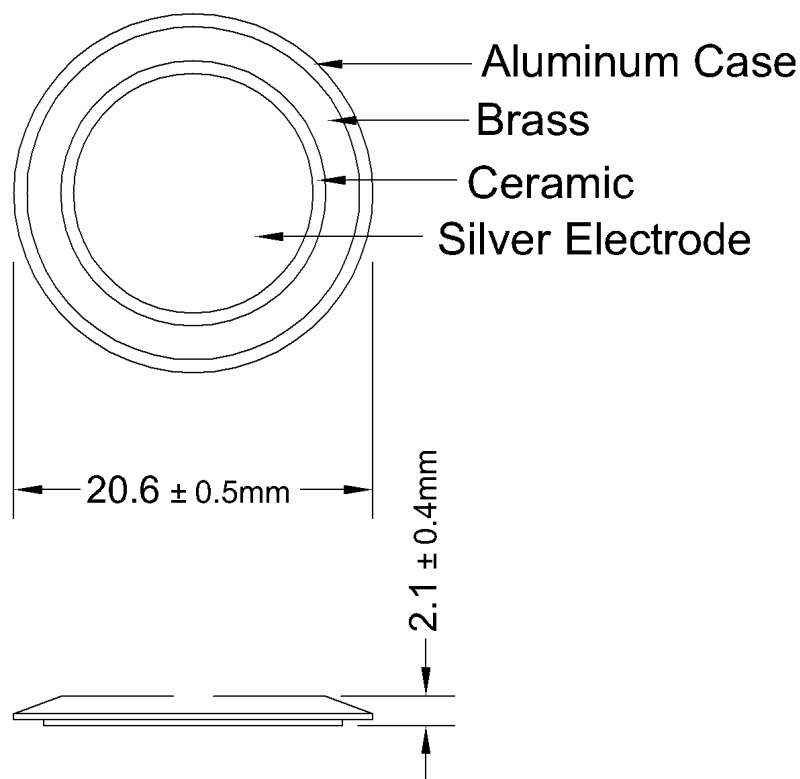


HONG KONG PIEZO CO. LTD.
香港功能陶瓷有限公司

Piezoceramic Buzzers

Model No: HKP-20AL

Unit: mm



No.	Item	Specification
1	Dimension	$\text{Ø}20.6 \times \text{H}2.1\text{mm}$
2	Sound Pressure Level	85dB min at 10cm 3Vrms Sine wave
3	Resonant Frequency	$5.5 \pm 1.0\text{KHz}$
4	Capacitance	$15\text{nf} \pm 30\%$