

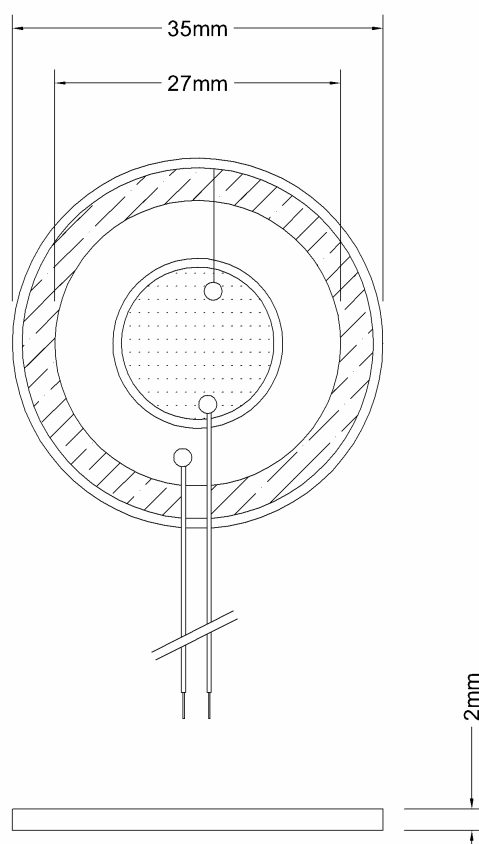


HONG KONG PIEZO CO. LTD.
香港功能陶瓷有限公司

Piezoceramic Buzzers

Model No: HKP-35L-07

Unit: mm



No.	Item	Specification
1	Dimension	Ø35.0 x H2.0mm
2	Sound Pressure Level	70dB min at 10cm 3Vrms sine wave
3	Resonant Frequency	0.7±0.3KHz
4	Capacitance	180nf ± 30%
5	Operating Voltage	30Vp-p max
6	Operating Temperature	-20°C ~+70°C
7	Leads	AWG30# - UL1571