

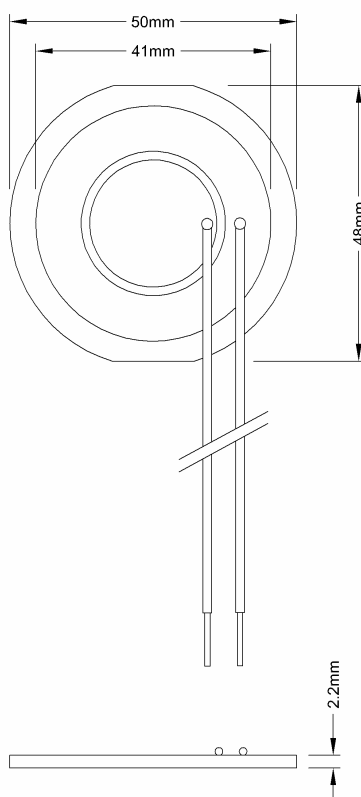


**HONG KONG PIEZO CO. LTD.**  
**香港功能陶瓷有限公司**

## Piezoceramic Buzzers

Model No: HKP-50L-22

Unit: mm



No.	Item	Specification
1	Dimension	Ø50.0 x H2.2mm
2	Sound Pressure Level	75dB min at 10cm 12.0Vp-p Square wave
3	Resonant Frequency	2.2±0.3KHz
4	Capacitance	80nf ± 30%
5	Operating Voltage	30Vp-p max
6	Operating Temperature	-20°C ~+70°C
7	Leads	AWG28# - UL1007