



**HONG KONG PIEZO CO. LTD.**  
**香港功能陶瓷有限公司**

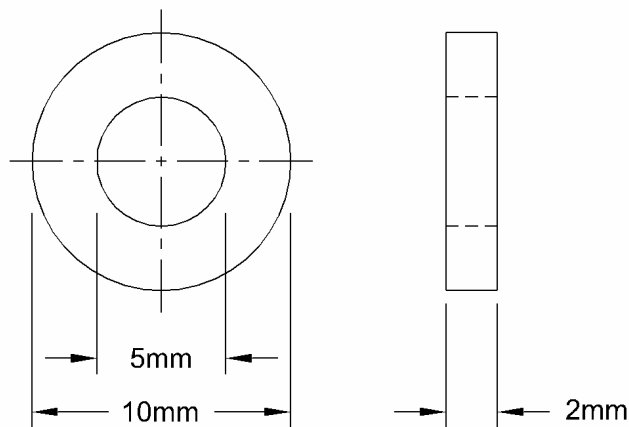
## Specification

Piezoceramic for Tooth-brushing

Part No: HKP-HT-821052

Unit: mm

Dimension:  $\Phi 10 \times \Phi 5 \times 2$ mm



### Electrical Characteristics:

- |                     |                    |
|---------------------|--------------------|
| 1. Radial Frequency | : 150 KHz $\pm$ 5% |
| 2. Capacitance      | : 310 pf $\pm$ 10% |
| 3. $K_{31}$         | : 0.31             |
| 4. $d_{33}$         | : 206              |

---

Flat 15, 9/F, Block A, Veristrong Industrial Centre, 34-36 Au Pui Wan Street, Fo Tan, N.T., Hong Kong.

香港火炭坳背灣街 34-36 號豐盛工業中心 A 座 9 字樓 15 室

Tel: (852) 2694 1029 Fax: (852) 2690 3635

Website: <http://www.piezo.com.hk> Email: [info@hkpiezo.com](mailto:info@hkpiezo.com)