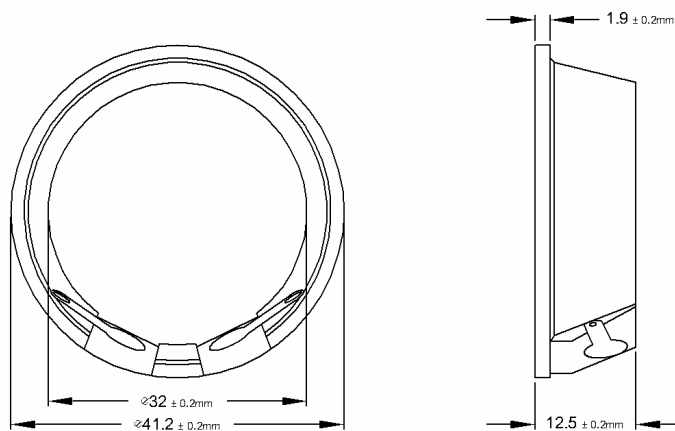




## Specification

Piezo Tweeter

Model No: HKP-4122BT



Housing: Plastic Case

Diaphragm: Mylar Cone

No.	Item	Specification
1	Rated Voltage (Vrms)	2.83V
2	Operating Voltage	$\leq 10$
3	Sound Output (dB)	$\geq 90$ dB
4	Resonant Frequency (Hz)	22000Hz $\pm$ 1000Hz
5	Operating Temperature (°C)	-20°C ~ +70°C
6	Storage Temperature (°C)	-30°C ~ +80°C
7	Net Weight	7gm
8	Polarity	When a positive D.C voltage is applied to the terminal nearside. The diaphragm should move to the front.
9	Value applying at 2.83V, 22KHz sine wave 50cm	