



**HONG KONG PIEZO CO. LTD.**  
**香港功能陶瓷有限公司**

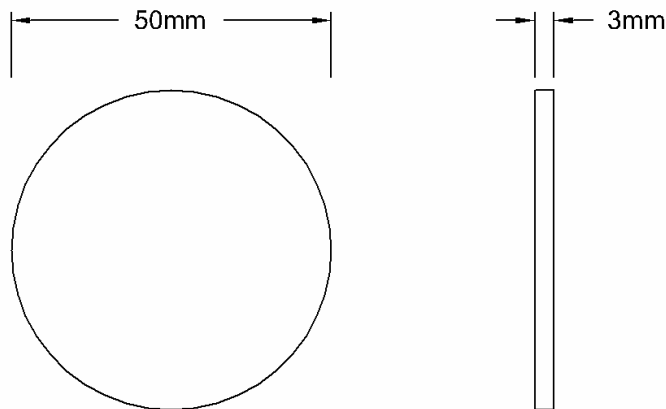
## Specification

Piezoceramic for Ultrasonic Cleaning

Part No: HKP-HC-P85051S

Unit: mm

Dimension:  $\Phi 50 \times 3\text{mm}$



### Electrical Characteristics:

- |                     |                                    |
|---------------------|------------------------------------|
| 1. Capacitance      | : 6400 pf $\pm 5\%$                |
| 2. Frequency        | : 45.4 KHz $\pm 5\%$               |
| 3. Resistance       | : $< 3.4\Omega$                    |
| 4. Kp               | : 0.51                             |
| 5. d33              | : $250 \times 10^{-12} \text{C/N}$ |
| 6. Loss tg $\delta$ | : 0.4 %                            |

Flat 15, 9/F, Block A, Veristrong Industrial Centre, 34-36 Au Pui Wan Street, Fo Tan, N.T., Hong Kong.

香港火炭坳背灣街 34-36 號豐盛工業中心 A 座 9 字樓 15 室

Tel: (852) 2694 1029 Fax: (852) 2690 3635

Website: <http://www.piezo.com.hk> Email: [info@hkpiezo.com](mailto:info@hkpiezo.com)