



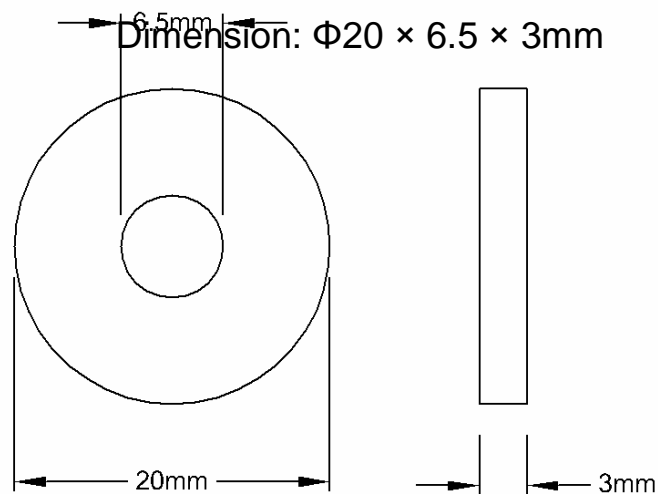
HONG KONG PIEZO CO. LTD.
香港功能陶瓷有限公司

Specification

Piezoceramic for Ultrasonic Welding

Part No: HKP-HC-P42065

Unit: mm



Electrical Characteristics:

- | | |
|----------------------|--------------------------------------|
| 1. Frequency | : 88 KHz \pm 5% |
| 2. Capacitance | : 820 pf \pm 5% |
| 3. Radial Resistance | : <25 Ω |
| 4. Kp | : 0.51 |
| 5. d33 | : 250 \times 10 ⁻¹² C/N |
| 6. Loss tg δ | : <0.5% |

Flat 15, 9/F, Block A, Veristrong Industrial Centre, 34-36 Au Pui Wan Street, Fo Tan, N.T., Hong Kong.

香港火炭坳背灣街 34-36 號豐盛工業中心 A 座 9 字樓 15 室

Tel: (852) 2694 1029 Fax: (852) 2690 3635

Website: <http://www.piezo.com.hk> Email: info@hkpiezo.com